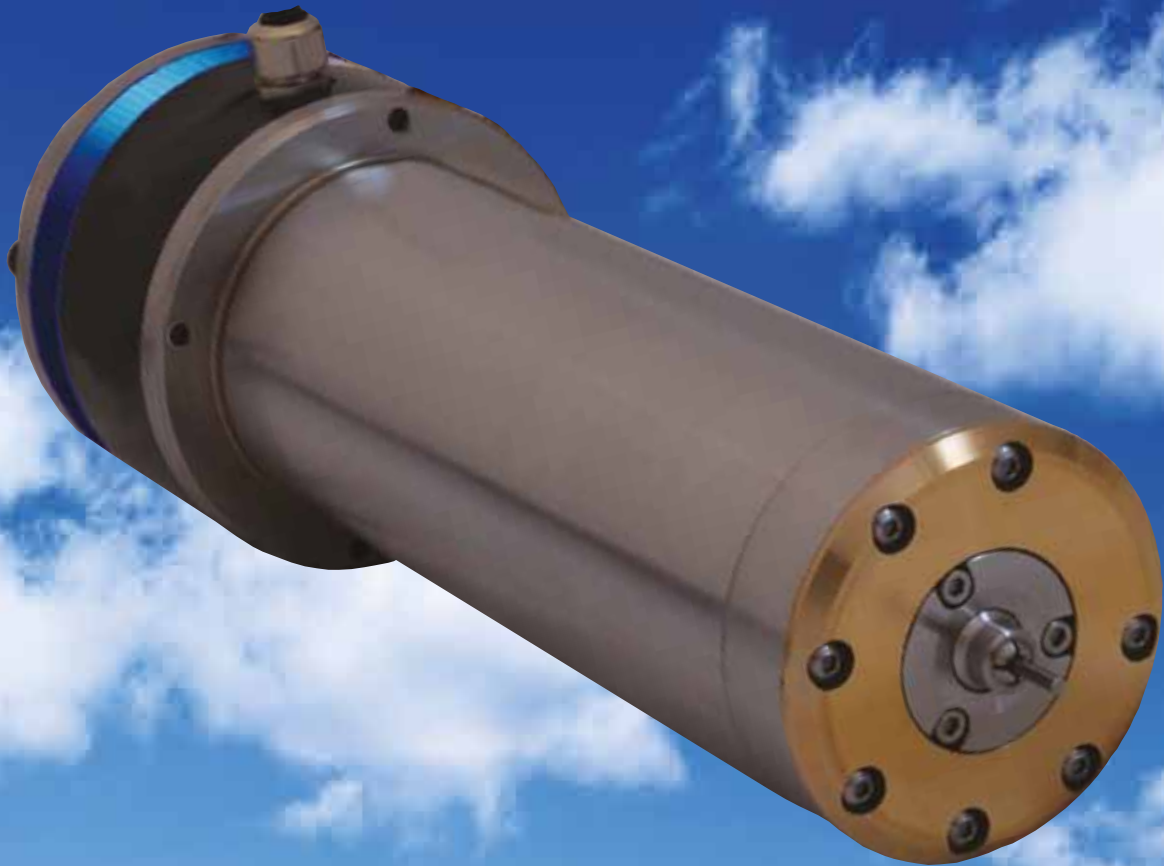




Air Bearings Ltd

**AW350A
PCB DRILLING SPINDLE**



**Air Bearings Ltd
1 Witney Road
Poole
Dorset
BH17 0GH
United Kingdom
+44 (0)1202 680 805
sales@airbearings.co.uk**

www.airbearings.co.uk

146-EN-A © Air Bearings Ltd 2014



AW350A 350,000 RPM PCB DRILLING SPINDLE

- HIGH SPEED
- HIGH ACCURACY
- LOW COST
- LOW MAINTENANCE

ABL's engineering expertise now offers you the capability of PCB drilling at speeds of up to 350,000 rpm with the AW350 spindle.

The higher spindle speeds available allow for increased productivity and micro-via drilling (<100µm) in a range of PCB substrates, whilst ensuring accuracy and repeatability is maintained.

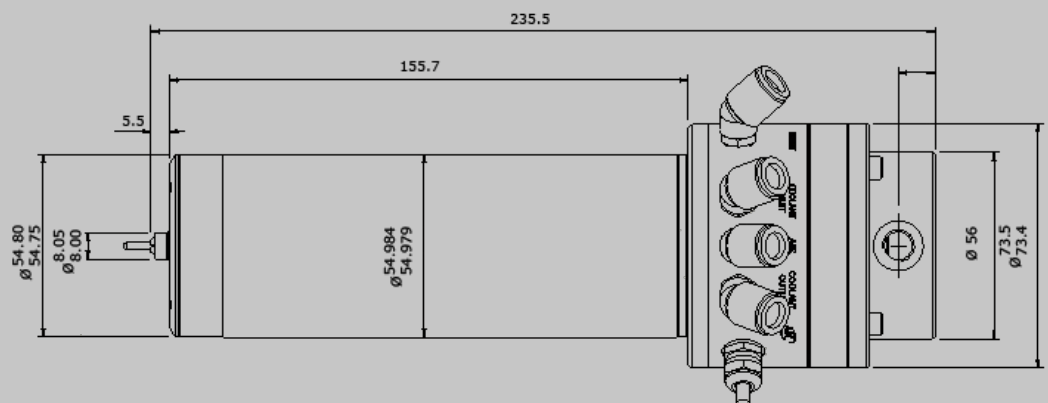
The AW350 has been designed to operate with a number of different clamping arrangements, including ABL's Linear air bearing, the Z-Bush.



Speed range	30,000 - 350,000 rpm
Motor power	330W
Air Pressure	6.5 bar
Coolant	Water
Coolant flow	1 l/min at 3 bar
Coolant input temperature	15~20°C
Dynamic runout*	0.005mm TIR
Mass	2.75 kg
Collet size	Ø2mm
Max axial load	74N
Max static radial load*	22N

* Measured 6.5mm from collet nose

ABL reserves the right to change specifications without notice



ABL has been manufacturing dedicated PCB drilling spindles since 1993. Situated on the south coast of England, ABL operates from a 4600m² purpose built facility.

For more information visit.....

www.airbearings.co.uk
sales@airbearings.co.uk